

Electronic Buzzers Installation 118/119 / Accessories

Cap BK



Part No.: 975.118.00

MECHANICAL DATA

Height	18 mm
Diameter	41 mm
Materials	PC/ABS
Housing colour	Black
Weight with packaging	7 g
Product weight	7 g

APPROVAL DATA

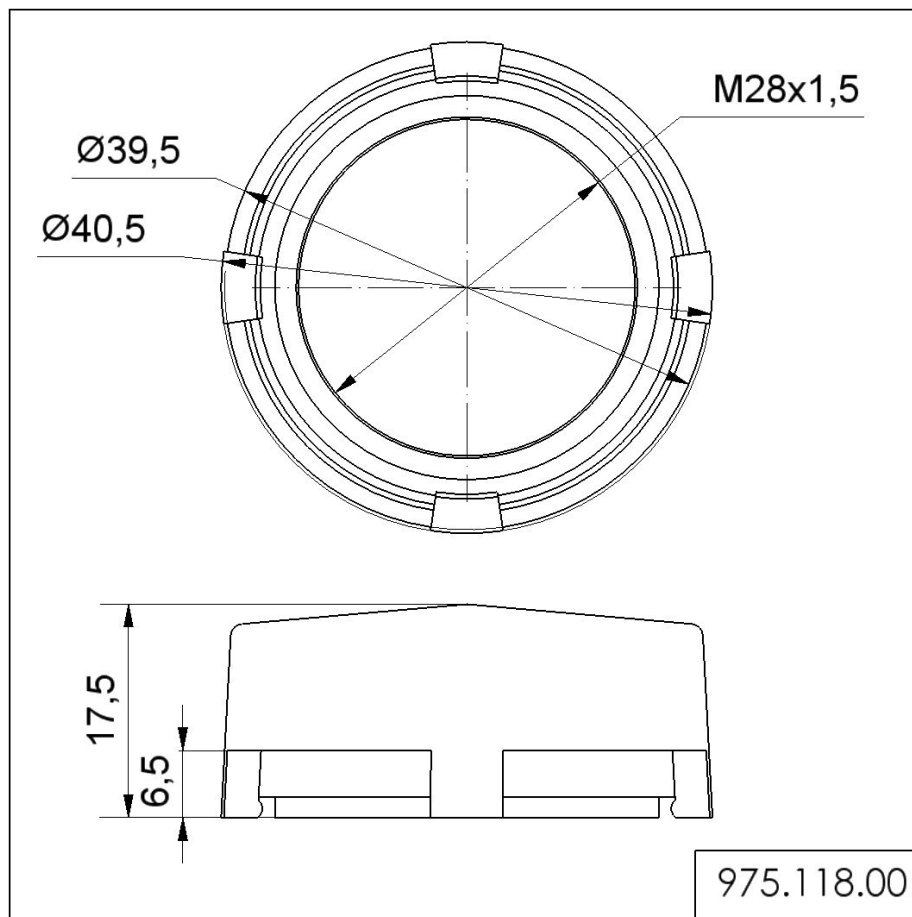
Conforms with CE	No
WEEE	No
Conforms with ATEX-directive	No
Conforms with CCC	No
Conforms with UL	No
Conforms with FCC	No
Conforms with IC	No
EAC certificate available	No
Conforms with UKCA (Importer)	No
Conforms with AS-I	No
ICAO Certification	No
Conforms with DNV	No
Conforms with RoHS CN	No



For additional installation and mounting information, refer to the appropriate user guide at www.werma.com. This printed copy is for information only and is subject to alteration.

Cap BK

DRAWING



For additional installation and mounting information, refer to the appropriate user guide at www.werma.com. This printed copy is for information only and is subject to alteration.